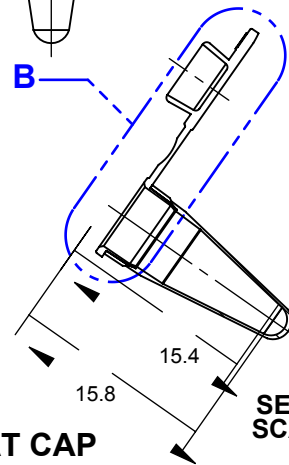
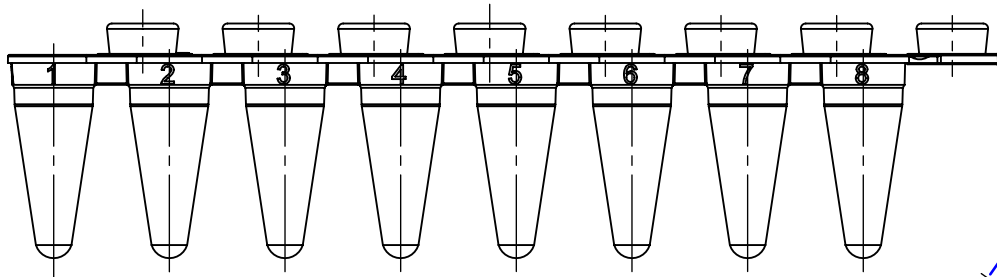
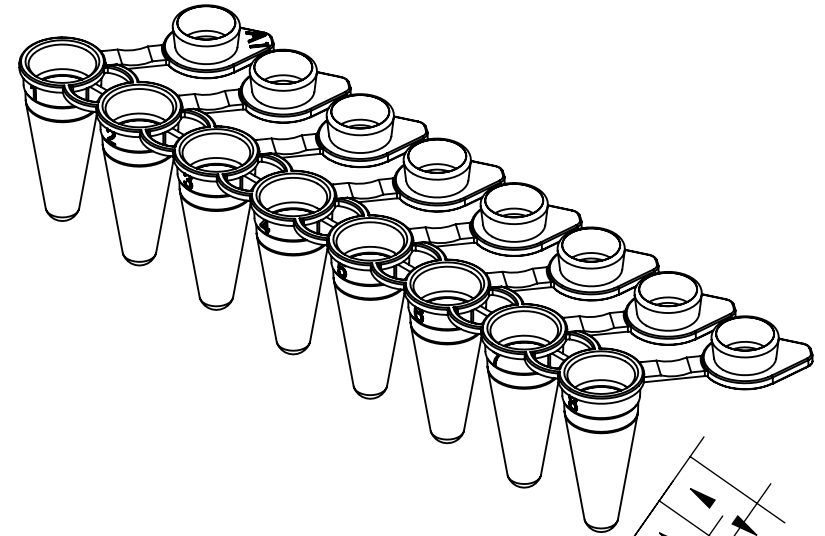
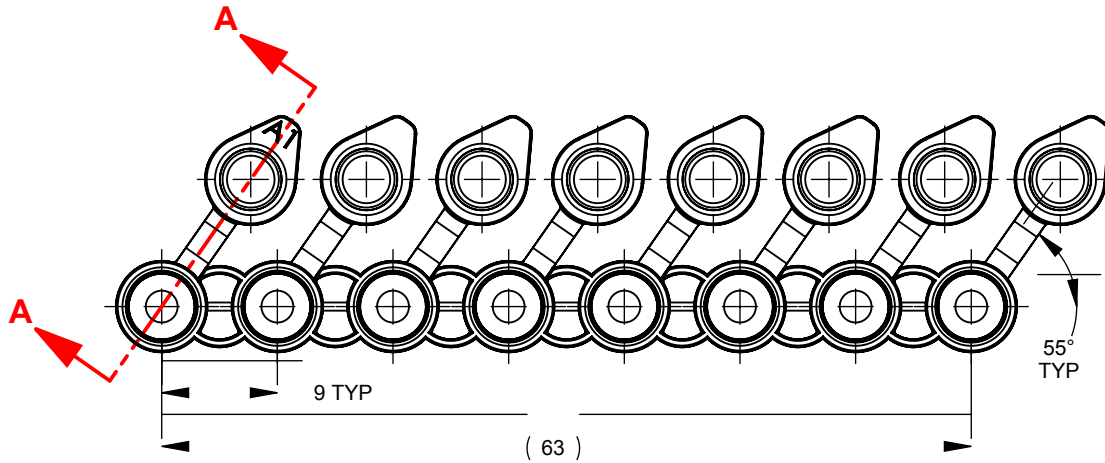


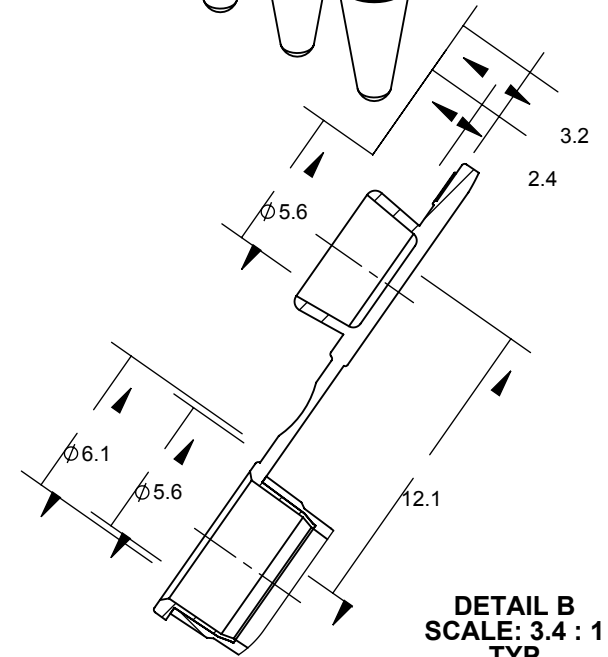


# westburg

LIFE SCIENCES



SECTION A-A  
SCALE: 1.7 : 1  
TYP



DETAIL B  
SCALE: 3.4 : 1  
TYP

## WB 0080 & WB 0081 8-STRIP PCR TUBE W/ SNAP STRIP FLAT CAP

Arnhemseweg 87  
3832 GK Leusden  
The Netherlands

P.O. Box 214  
3830 AE Leusden  
The Netherlands

+31 33 495 0094  
info@westburg.eu  
www.westburg.eu

IBAN NL78RABO0168460297  
NL005049532B01  
KvK 31024246

